



深圳市泓彩科技有限公司

Shenzhen Hongcai Technology Company Ltd.

APPROVAL SHEET
产品规格承认书

Customer 客户名称	
Part NO. 产品型号	H35J4502
Remarks 备注栏	<input type="checkbox"/> Approval For Specification Only <input checked="" type="checkbox"/> Approval For Specification And Simple

CUSTOMER			HONGCAI		
APPROVED	CHECKED	PREPARED	APPROVED	CHECKED	PREPARED

地址：深圳市宝安区西乡簕竹角天富安工业区 1 栋 4 楼

电话：0755-2331 1561

传真：0755-2359 5249

Email: jinyg@kingcai.com.cn

网址：www.kingcai.cn

Revision Record

修改记录

Rev No	Date	Description
版本号	时间	内容
V01	2019-10-8	Preliminary Specification Release.

Contents

1	General specification-----	基本规格
2	Mechanical Drawing-----	模组图
3	Pin Assignments-----	接口定义描述
4	Electrical Specification-----	电气特性
5	Measurement system -----	测量系统
6	Reliability Test Items -----	可靠性测试项目
7	Suggestions for using LCD modules-----	使用注意事项
8	Packing and Storage Specification(Reference Only) ---	包装存储
9	Inspection standard -----	检验标准

1. General Specifications 基本规格

Item	Contents	Unit
Size	3.5	inch
LCM Dimension	54.48 (W) * 84.71 (H) * 2.3(T)	mm
LCD Active Area	48.96 * 73.44	mm
Number OfDots	320 * RGB * 480	pixel
LCD Type	a-Si TFT	
Viewing Direction	ALL	
Driver IC	ST7796S	
Interface Type	RGB(18bit)	
Operating Temperature	-20°C ~ 70°C	
Storage Temperature	-30°C ~ 80°C	
Backlight Type	6 LEDs	
Weight	TBD	

3. Pin Assignments 接口定义描述

NO.	Symbol	Description
1	GND	Ground
2	LEDA	BACKLIGHT ANODE
3	LEDA	BACKLIGHT ANODE
4	LEDK	BACKLIGHT CATHODE
5	LEDK	BACKLIGHT CATHODE
6	GND	Ground
7	GND	Ground
8	VCC	POWER SUPPLY
9	IOVCC	I/O POWER SUPPLY
10	RESET	Reset pin
11	VSYNC	Frame Synchronizing Signal
12	HSYNC	Line Synchronizing Signal
13	GND	Ground
14	DOTCLK	Dot Clock Signa
15	GND	Ground
16	DE	Data Enable Signal
17-34	DB17-DB0	Data Bus
35	SDO	Serial Data Output
36	SDI	Serial Data Input
37	RD	Read signal, rising-edge-active.
38	WR/SCL	Write signal, rising-edge-trigger./Serial Clock
39	D/CX	Data/Command registor selection.
40	CS	Chip Select
41	TE	Frame mark.
42	XR	Touch Panel Right
43	YD	Touch Panel Down
44	XL	Touch Panel Left
45	YU	Touch Panel Up

4. Electrical Specification 电气特性

4.1 DC Characteristics 直流特性

Item 项目	Symbol 符号	Min	Typ	Max	Unit 单位
TFT gate on voltage 驱动高电压	VGH	14.5	15	15.5	V
TFT gate off voltage 驱动低电压	VGL	-10.5	-10	-9.5	V
TFT common electrode Voltage 电极电压	Vcom	--	-1.18	--	V

4.2 AC Characteristics 交流特性

Refer to the SPEC of ST7796S

4.3 Typical Operation Conditions 典型工作条件

Item 项目	Symbol	Min.最小	Typ.典型	Max.最大	Unit
Analog Supply Voltage 模拟供电电压	VCI	2.5	2.8	3.3	V
Digital Supply Voltage 数字电源电压	VDD	2.5	2.8	3.3	V
I/O Supply Voltage 接口电压	IOVCC	1.65	1.8/2.8	3.3	V
Input High Voltage 输入高电平	VIH	0.8*IOVCC	-	IOVCC	V
Input Low Voltage 输入低电平	VIL	0	-	0.2*IOVCC	V
Output High Voltage 输出高电平	VOH	0.8*IOVCC	-	-	V
Output Low Voltage 输出低电平	VOL	-	-	0.2*IOVCC	V

4.4 Backlight Circuit Characteristics 背光电气特性

Item	Symbol	Min.	Typ.	Max.	Unit
LED Current 背光电流	IB	-	20	-	mA
LED Voltage 背光电压	Vf	18.60	--	19.20	V
CIE	X	0.305	0.335	0.365	
	Y	0.345	0.375	0.395	
Brightness of LCM	L	300	350		cd/m2

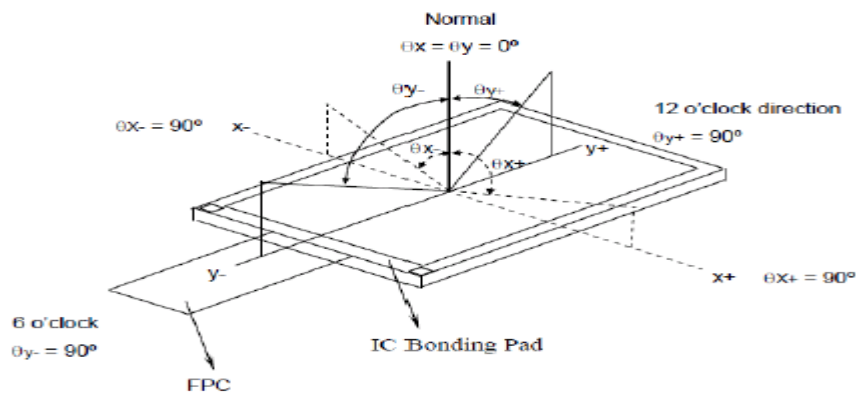
4.5 Electro-Optical Characteristics 光电参数

Item	Symbol	Conditions	Specifications (typ)	Unit	Note
Transmittance	T%	Viewing normal angle $q_x = q_y = 0^\circ$	4.3	%	All left side data are based on INX's following condition – 1.CG : NTSC 69% 2.AR : 67.5% 3.Light Source : INX LED BLU 4.Machine : DMS 803 5. Vwhite > 5.0 V, Vdark < 0.3V 6. Polarizer : NPF-TEGQ1465DUHC
Contrast Ratio	CR		700	--	
Response Time	Ton+ Toff		30	ms	
Viewing Angle	Hor.	q_{x+}	80	deg.	
		q_{x-}	80		
	Ver.	q_{y+}	80		
		q_{y-}	80		
CF only Chromaticity	Red	X_R	0.660	--	Under C light Simulation
		Y_R	0.325	--	
	Green	X_G	0.277	--	
		Y_G	0.568	--	
	Blue	X_B	0.145	--	
		Y_B	0.072	--	
	White	X_W	0.309	--	
		Y_W	0.332	--	

Note : Color chromaticy is for LCD only.

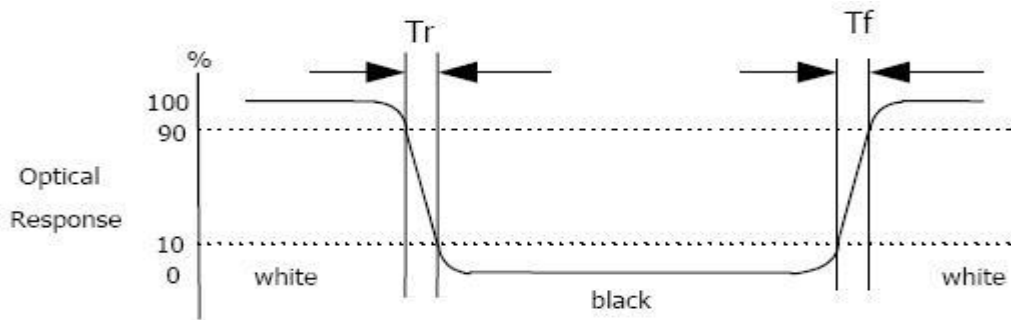
5.Measurement system 测量系统

5.1 LCM Viewing Angle



Viewing angle is the angle at which the contrast ratio is greater than 10. The angles are determined for the horizontal or x axis and the vertical or y axis with respect to the z axis which is normal to the LCD surface

5.2 Response time



Response time is the time required for the display to transition from white to black (Rising time, Tr) and from black to white (Falling time, Tf) for additional information.

5.3 Contrast Ratio (CR)

Contrast Ratio (CR) is defined mathematically as:

$$\text{Contrast Ratio} = \frac{\text{Surface Luminance with all white pixels}}{\text{Surface Luminance with all black pixels}}$$

Surface luminance is the center point across the LCD surface 500mm from the surface with all pixels displaying white.

6. Reliability Test Items 可靠性测试项目

Test Item 测试项目	Test Condition 测试条件	Test result determinant gist 实验结果判定
High temperature storage 高温存储	80±3℃, 24H;	Inspection after 2~4hours storage at room temperature, the sample shall be free from defects:
Low temperature storage 低温存储	-30±3℃, 24H;	
High temperature operation 高温运行测试	70±3℃, 24H;	试验结束后,已测试的 LCD 样品必须在室内正常温湿度环境下放置 2~4 个小时以上才能进行功能和外观检查, 样品不允许有以下缺陷:
Low temperature operation 低温运行测试	-20±3℃, 24H;	
High temperature /humidity 高温高湿	60℃ ±3℃, 90% ±3%RH, 48H;	1. Air bubble in the LCD;
Thermal Shock 冷热冲击	-20℃/0.5h~+70℃/0.5h for a total 24 cycles;	模块中有气泡;
Vibration Test 振动测试	Frequency 10Hz~55Hz~10Hz Amplitude: 1.5mm, X, Y, Z direction for total 1H; (Packing condition)	2. Non-display; 不显示; 3. Glass crack; 玻璃破碎; 4. The electrical characteristics requirements shall be satisfied.
ESD test 静电测试	±4KV, Human Body Mode, 150pF/330Ω; ±8KV, Air Mode, 150pF/330Ω;	需要满足模块电气性能。

Remark: 注意:

1. The test samples should be applied to only one test item.

每个被测试的模块只能用于其中的一个测试项目。

2. Sample size for each test item is 2pcs.

每个测试项目的样品数量为 2 片。

3. Failure Judgment Criterion: Basic Specification, Electrical Characteristic, Mechanical Characteristic, Optical Characteristic.

故障判断标准:基本规格,电气特性,机械特性,光电特性。

7. Suggestions for using LCD modules 使用注意事项

7.1 The display panel is made of glass and polarizer. As glass is fragile. It tends to become or chipped during handling especially on the edges. Please avoid dropping or jarring. Do not subject it to a mechanical shock by dropping it or impact.

显示屏由玻璃和偏光片组成。由于玻璃是脆的,使用过程中要特别注意边缘区。请防止跌落或振动。不能机械碰撞。

7.2 If the display panel is damaged and the liquid crystal substance leaks out, be sure not to get any in your mouth. If the substance contacts your skin or clothes, wash it off using soap and water.

如果显示屏损坏且液晶物质泄漏,切勿入口。如果液晶物质与皮肤或衣服接触,请使用肥皂和水冲洗。

7.3 Do not apply excessive force to the display surface or the adjoining areas since this may cause the color tone to vary. Do not touch the display with bare hands. This will stain the display area and degraded insulation between terminals (some cosmetics are determined to the polarizer).

请勿施加过大的压力于显示屏或连接部位,否则会引起色调变化。不要用手接触显示屏,这将弄脏显示区和降低端子之间的绝缘能力(一些外观是由偏光片决定的)。

7.4 The polarizer covering the display surface of the LCD module is soft and easily scratched. Handle this polarizer carefully. Do not touch, push or rub the exposed polarizers with anything harder than an HB pencil lead (glass, tweezers, etc.). Do not put or attach anything on the display area to avoid leaving marks on it. Condensation on the surface and contact with terminals due to cold will damage, stain or dirty the polarizer. After

products are tested at low temperature they must be warmed up in a container before coming in to contact with room temperature air.

覆盖液晶显示模块显示平面的偏光片是软性且易被擦伤, 请小心轻拿。请勿用任何硬度大于 HB 铅笔芯的物品 (玻璃, 镊子等) 接触、撞压或摩擦裸露偏光片。不要放置或粘附物体在显示区域上以免留下痕迹。冷凝在表面和端子将会损坏或弄脏偏光片。产品在低温下测试之后, 与室温空气接触之前必须在容器内升温。

7.5 If the display surface becomes contaminated, breathe on the surface and gently wipe it with a soft dry cloth. If it is heavily contaminated, moisten cloth with one of the following solvents

- Isopropyl alcohol
- Ethyl alcohol

Do not scrub hard to avoid damaging the display surface.

如果显示平面受污, 可对平面吹热气且轻轻地用软性干布擦除。如果受污严重, 用含下列一种溶剂的湿布擦除:

- 甘油
- 酒精

请勿用力擦拭以免损坏显示平面。

7.6 Solvents other than those above-mentioned may damage the polarizer. Especially, do not use the following.

- Water
- Ketone
- Aromatic solvents

Wipe off saliva or water drops immediately, contact with water over a long period of time may cause deformation or color fading. Avoid contact with oil and fats.

除以上提到的溶剂外, 其他溶剂可能会损坏偏光片, 特别要避免使用以下溶剂:

- 水
- 酮

-芳烃溶剂立即擦掉唾液或水滴, 长时间与水接触会引起变形或褪色。避免接触油和油脂。

7.7 Exercise care to minimize corrosion of the electrode. Corrosion of the electrodes is accelerated by water droplets, moisture condensation or a current flow in a high-humidity environment.

特别注意最小限度地减少电极腐蚀，电极腐蚀会因水滴、湿度冷凝或高湿环境下通电而加速。

7.8 Install the LCD Module by using the mounting holes. When mounting the LCD module make sure it is free of twisting, warping and distortion. In particular, do not forcibly pull or bend the I/O cable or the backlight cable.

使用安装孔装配液晶显示模块，安装时一定要不要弯曲、扭曲和变形。要特别注意不要用力拔，弯曲传输线或背光线。

7.9 Do not attempt to disassemble or process the LCD module.

请勿拆卸液晶显示模块。

7.10 NC terminal should be open. Do not connect anything.

悬空端应断开，不要连接任何器件。

7.11 If the logic circuit power is off, do not apply the input signals.

如果逻辑电路电源是断开的，不要施加输入信号。

7.12 Electro-Static Discharge Control, Since this module uses a CMOS LSI, the same careful attention should be paid to electrostatic discharge as for an ordinary CMOS IC. To prevent destruction of the elements by static electricity, be careful to maintain an optimum work environment.

由于液晶显示模块使用 CMOS 集成，要特别注意静电放电问题。对 CMOS 器件，要特别注意静电。为防止静电损坏，注意保持合宜的工作环境。

- Before removing LCM from its packing case or incorporating it into a set, be sure the module and your body have the same electric potential. Be sure to ground the body when handling the LCD modules.

-液晶显示模块移出包装盒和安装之前，要保证模块和人体具有相同的电位。处理模块时，可靠接地。

- Tools required for assembling, such as soldering irons, must be properly grounded. Make certain the AC power source for the soldering iron does not leak. When using an electric screwdriver to attach LCM, the screwdriver should be of ground potentiality to minimize as much as possible any transmission of

electromagnetic waves produced sparks coming from the commutator of the motor. - 使用工具如电烙铁，要可靠接地，并确保烙铁使用交流电，不要漏电。用电批固定模块时，电批应接地，尽可能降低电动换向器火花产生的电磁波。

- To reduce the amount of static electricity generated, do not conduct assembling and other work under dry conditions. To reduce the generation of static electricity be careful that the air in the work is not too dry. A relative humidity of 50%-60% is recommended. As far as possible make the electric potential of your work clothes and that of the work bench the ground potential.

- 为减少静电产生，不在干燥组装或其它操作。为降低静电，工作场地一定不要太干燥。建议相对湿度为 50%-60%。尽可能使你的工作服和工作台接地。

- The LCD module is coated with a film to protect the display surface. Exercise care when peeling off this protective film since static electricity may be generated.

- 液晶显示模块表面有一个保护膜。需要小心操作以减少撕保护膜时静电的产生。

7.13 Since LCM has been assembled and adjusted with a high degree of precision, avoid applying excessive shocks to the module or making any alterations or modifications to it.

由于液晶显示模块由高精度装配和调节制成，应避免对模块过大的冲击或做任何更改。

- Do not alter, modify or change the shape of the tab on the metal frame. - 不要改动金属架上的翼片形状。

- Do not make extra holes on the printed circuit board, modify its shape or change the positions of components to be attached.

- 不要在印制电路板上钻额外的孔，修改形状或更改印制线路板上元件的位置。

- Do not damage or modify the pattern writing on the printed circuit board. - 不要更改或损坏印制线路板上的图案。

- Absolutely do not modify the zebra rubber strip (conductive rubber) or heat seal connector.

- 绝对不要更改斑马条（导电胶条）或导电纸连接器。

- Except for soldering the interface, do not make any alterations or modifications with a soldering iron.

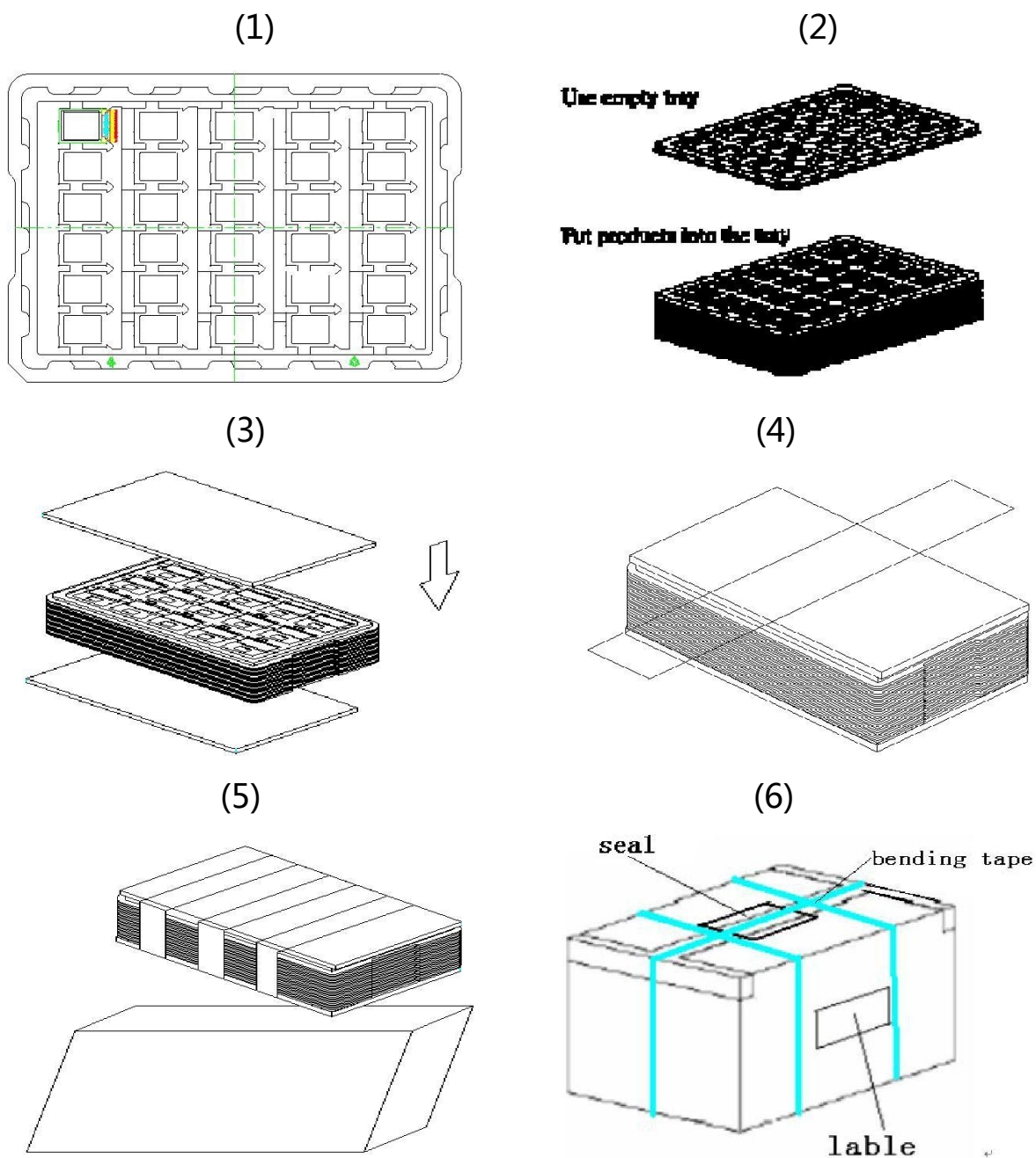
- 除焊接接口外，不要用烙铁做任何更改。

- Do not drop, bend or twist the LCM.

- 不要扔、弯和扭模块。

8.Packing and Storage Specification(Reference Only)包装存储

8.1 Packing Method 包装方法



1. Put module into tray cavity. 把模块放进托盘.
2. Tray stacking. 托盘叠装.
3. Put 1 foam under the tray stack and 1 foam above. 在托盘上下放卡板.
4. Fix the cardboard to the tray stack with adhesive tape. 绑胶带.
5. Put the tray stack into carton. 把邦好的托盘放进纸箱.
6. Carton sealing with adhesive tape. 封纸箱.

8.2 Storage Method 存储方法

1. Store in an ambient temperature of $23\text{ }^{\circ}\text{C} \pm 5\text{ }^{\circ}\text{C}$, and in a relative humidity of $55\% \pm 15\%$. Don't exceed 12 months and expose to sunlight or fluorescent light.

存储环境温度为 $23 \pm 5\text{ }^{\circ}\text{C}$ ，相对湿度为 $55\% \pm 15\%$ ，存储不能超过 12 个月，不要长时间暴晒。

2. Store in a clean environment, free from dust, active gas, and solvent.

存储在一个干净的环境，不受灰尘，活性气体和溶剂污染。

4. LCM module is stored in warehouse, Store in antistatic container, There may be air bubbles between the protective film on the surface of polarizer and polarizer. It can only be found under LED light, Before production, IQC should be inspected directly by LED light, If residual traces are found, alcohol should be used to wipe them.

LCM 模组存储于仓库，请一定存储在防静电环境。可能偏光片表面的保护膜与偏光片之间会有气泡痕迹，需要在 LED 灯光下才可发现，生产前请 IQC 在 LED 灯光直射检查，若发现残留痕迹，请用酒精擦拭即可。